

© Product installation and operation guide



TYPE A RESIDUAL CURRENT DEVICES



LIVE ELECTRICAL DISTRIBUTION UK LTD

Unit 4, Queensmead Place, Trafford Park, Manchester, M17 1PH

Tel: 0161 870 2592 Web: www.liveelectrical.co.uk

E-mail: sales@liveelectrical.co.uk



Ensure that these instructions are made available to the end user for future reference.

TYPE A RESIDUAL CURRENT DEVICES

Construction and Feature

Provides protection against earth fault/leakage current and provides point of isolation; High breaking current withstand capacity Flame resistant plastic parts endures abnormal heating and strong impact; Automatically disconnect the circuit when earth fault/leakage current occurs and exceeds the rated sensitivity; Independent of power supply and line voltage, and free from external interference, voltage fluctuation.

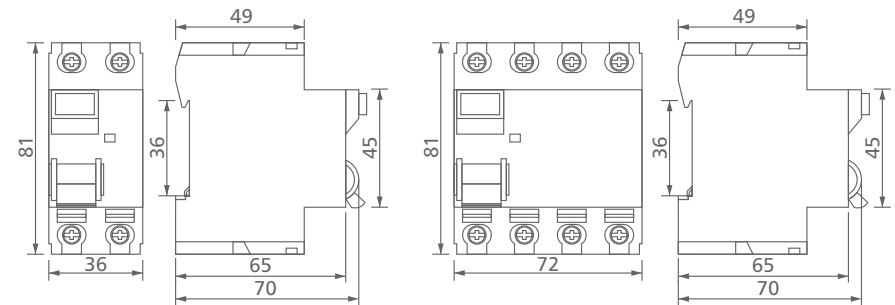
Technical Data

- Pole No.: 2, 4
- Rated current(A): 25, 40, 63, 80, 100A
- Rated voltage: 230/400V AC
- Rated frequency: 50/60Hz
- Rated residual operating current I_{Δ} (mA): 30, 100, 300
- Rated residual non operating current: $0.5I_{\Delta n}$
- Rated conditional breaking current I_{nc} : 6000A
- Tripping duration Instantaneous tripping $\leq 0.1s$
- Residual tripping current range: $0.5I_{\Delta n} \sim I_{\Delta n}$
- Electro-mechanical endurance: 4000 cycles
- Connection capacity Rigid conductor up to 25mm²
- Connection terminal Screw terminal
- Pillar terminal with clamp
- Fastening torque 2.0 Nm
- Installation: On symmetrical DIN rail 35mm
- Panel mounting
- Bidirectional
- Type A

Wiring Diagram



Product Dimension



Safety Instructions - Important

1. Before using RCD, it is first necessary to ensure that the circuit is powered off and the RCD is correctly installed in the circuit. RCD is usually installed upstream of the circuit.
2. Next, connect the circuit correctly to the associated MCB output terminal. The input terminal of the circuit should be connected to the busbar, while the output terminal of the circuit should be connected to the electrical equipment that needs protection. The neutral cable for the circuit shall be connected to the neutral bar.

3. After connecting the circuit, it is necessary to test the RCD to ensure its normal operation. The method for testing RCD is as follows:

3.1 Press the test button on the RCD and observe if the RCD immediately cuts off the circuit. If the RCD operates normally, the circuit will immediately disconnect.

3.2 If the RCD does not cut off the circuit, it may be due to a malfunction or incorrect connection of the RCD itself. At this point, the wiring and circuit connections of the RCD should be checked to ensure correctness.

3.3 If the RCD still does not function properly after inspection, it is recommended to replace it with a new RCD.

4. After the RCD is functioning properly, the circuit can be energised. When using RCD, the following points need to be noted:

4.1 Before each use of electrical equipment, check whether the RCD is working properly. You can press the test button for testing to ensure that the RCD can cut off the circuit in a timely manner.

4.2 If the RCD cuts off the circuit, it may be due to a malfunction in the electrical equipment or leakage in the circuit. At this point, troubleshoot or repair the circuit, and ensure that the problem is resolved before retesting the RCD. 3. Regularly check the working status of RCD to ensure its normal operation. It is recommended to test the RCD every three months, and if any abnormalities are found, a new RCD should be replaced in a timely manner.

Note:

When using RCD, the following points should also be noted:

1. RCD can only be used in AC circuits and cannot be used in DC circuits.

2. RCD can only protect personal safety and cannot protect the equipment itself.

Therefore, when using electrical equipment, it is still necessary to pay attention to the normal working state of the equipment.

Tips:

Waste electrical products should not be disposed of with household waste. Please recycle where waste disposal facilities exist.

Check with your retailer, wholesaler or local authority for recycling advice.